

SHOWER FLOOR
 Model No. () Size ()

STERN
WILLIAMS
WHEELCHAIR
 SHOWER FLOORS
ARCHITECTURAL
SPECIFICATIONS

Shower Floor shall be of Williams precast terrazzo. Terrazzo shall be made of black and white marble chips cast in white Portland cement to produce a compressive strength of not less than 3000 PSI, seven days after casting. Terrazzo surface shall be ground smooth, grouted and sealed to resist stain. Flange cast integral shall be of galvanized-bonderized steel and shall extend not less than one inch above the shoulder. Drain body shall be cast integral, and shall provide for a caulked lead connection not less than one inch deep to a two inch pipe. Removable type strainer plate shall be made of stainless steel.

We suggest a floor drain at the entrance to the shower and the use of a weighted shower curtain. This shower floor **must be set on a level grout or mortar bed.**



TRIESTE WHEELCHAIR SHOWER FLOOR
-Three sides flanged-

MODEL	SIZE
54-HC	36" x 36"
84.5-HC	48" x 36"
98-HC	60" x 60"



SERPENTINE WHEELCHAIR SHOWER FLOOR
With Stainless Steel Cap
-Three sides flanged-

MODEL	SIZE	MODEL	SIZE
WS-3200	36" x 36"	WS-3503	42" x 70"
WS-3500	48" x 48"	WS-3504	48" x 70"
WS-3501	60" x 48"	WS-3505	60" x 70"
WS-3502	60" x 60"		

JOB

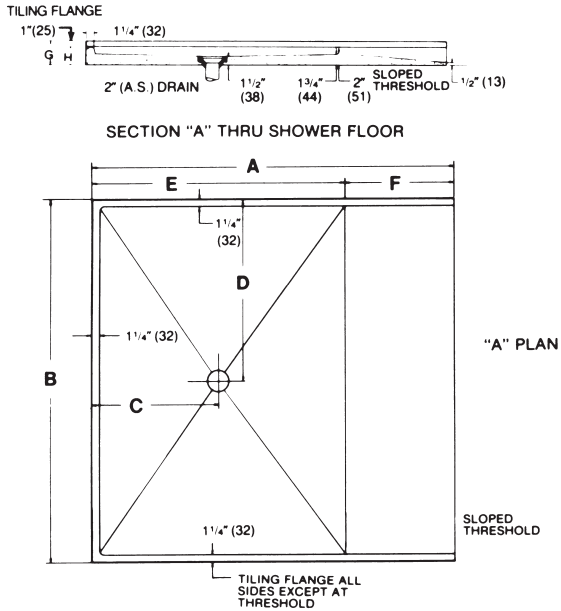
ENGINEER

LOCATION

CONTRACTOR

Trieste

SHOWER FLOOR with ramp threshold

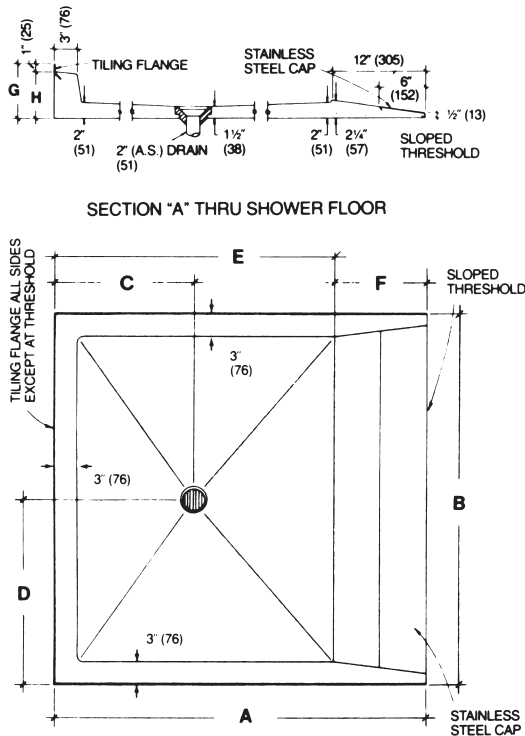


	54-HC		84.5-HC		98-HC	
	IN	MM	IN	MM	IN	MM
A	36	914	36	914	60	1524
B	36	914	48	1219	60	1524
C	12	305	12	305	21	535
D	18	457	24	610	30	762
E	24	610	24	610	42	1070
F	12	305	12	305	18	457
G	4	102	4	102	4	102
H	3	76	3	76	3	76

This shower floor must be set on level grout or mortar bed.

Serpentine

SHOWER FLOOR with ramp threshold and stainless steel cap



	WS-3200		WS-3500		WS3501		WS-3502	
	IN	MM	IN	MM	IN	MM	IN	MM
A	36	914	48	1219	48	1219	60	1524
B	36	914	48	1219	60	1524	60	1524
C	12	305	18	457	18	457	24	610
D	18	457	24	610	30	762	30	762
E	24	610	36	914	36	914	48	1219
F	12	305	12	305	12	305	12	305
G	7	178	7	178	7	178	7	178
H	6	152	6	152	6	152	6	152

	WS-3503		WS-3504		WS3505	
	IN	MM	IN	MM	IN	MM
A	70	1774	70	1774	70	1774
B	42	1070	48	1219	60	1524
C	9	228	9	228	9	228
D	21	535	24	610	30	762
E	58	1470	58	1470	58	1470
F	12	305	12	305	12	305
G	7	178	7	178	7	178
H	6	152	6	152	6	152

This shower floor must be set on level grout or mortar bed.

Note: All dimensions subject to manufacturing variance of plus or minus 1/4" (6 MM).